



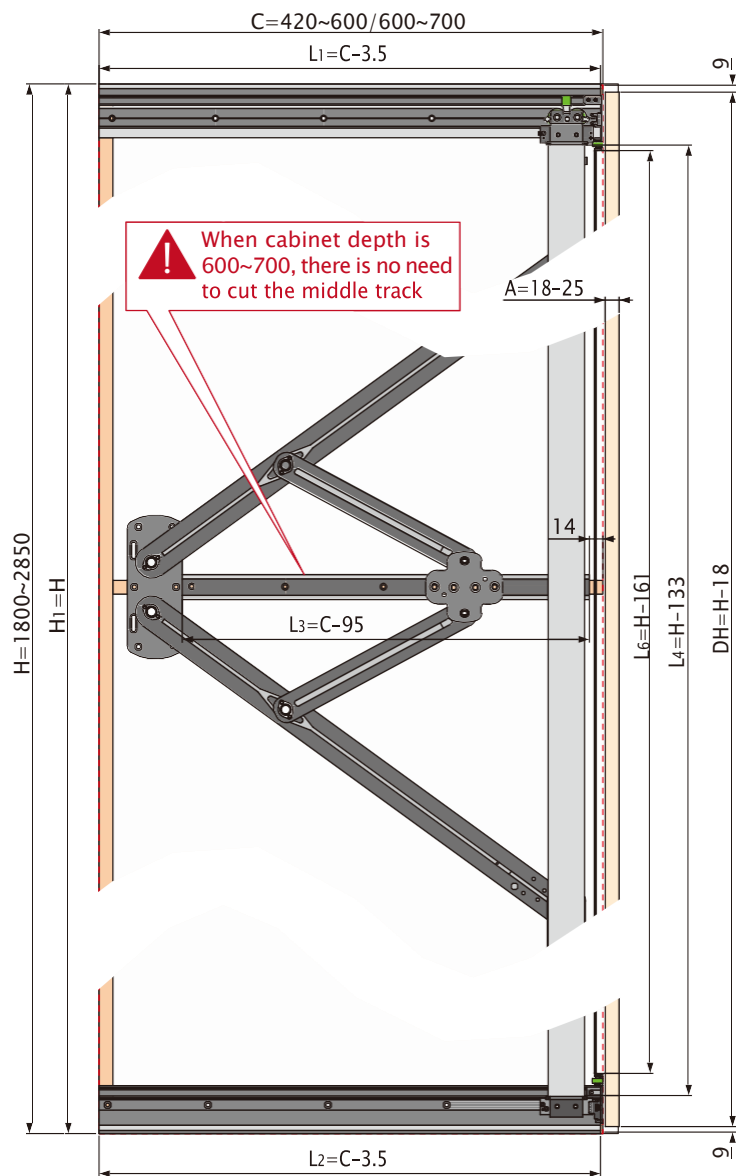
# opk ROTARY

Furniture Pocket Door

DIE VERSTECKTE TÜR – ELEGANT UND EDEL.  
THE HIDDEN DOOR – ELEGANT AND CLASSY.  
LA PORTE CACHÉE – ÉLÉGANTE ET CLASSE.

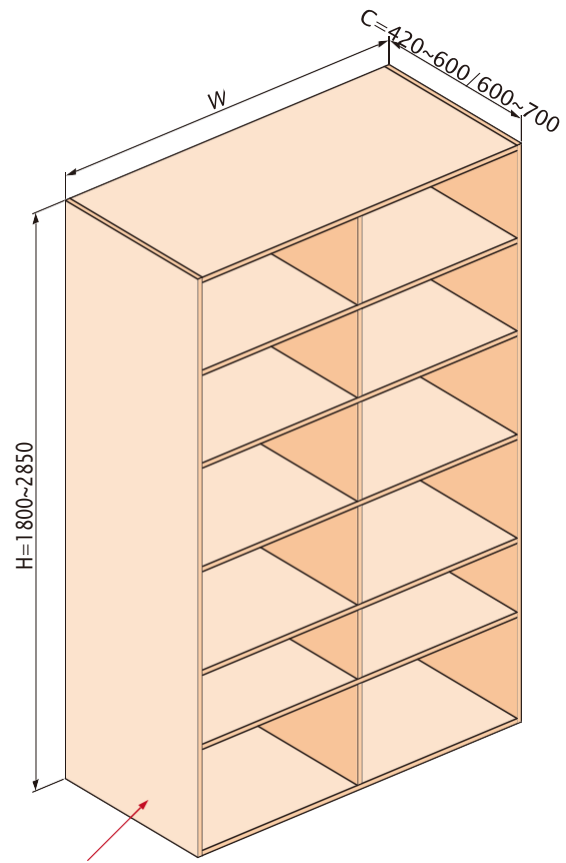


## Installation parameter

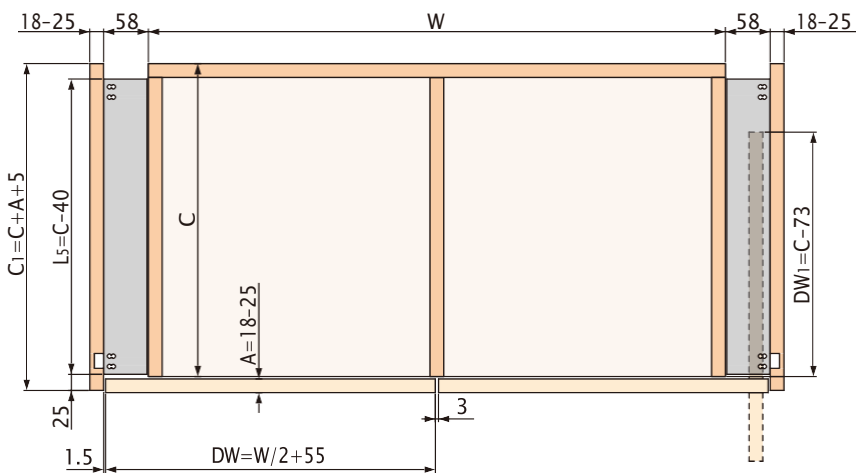


**!** When cabinet depth is 600~700, there is no need to cut the middle track

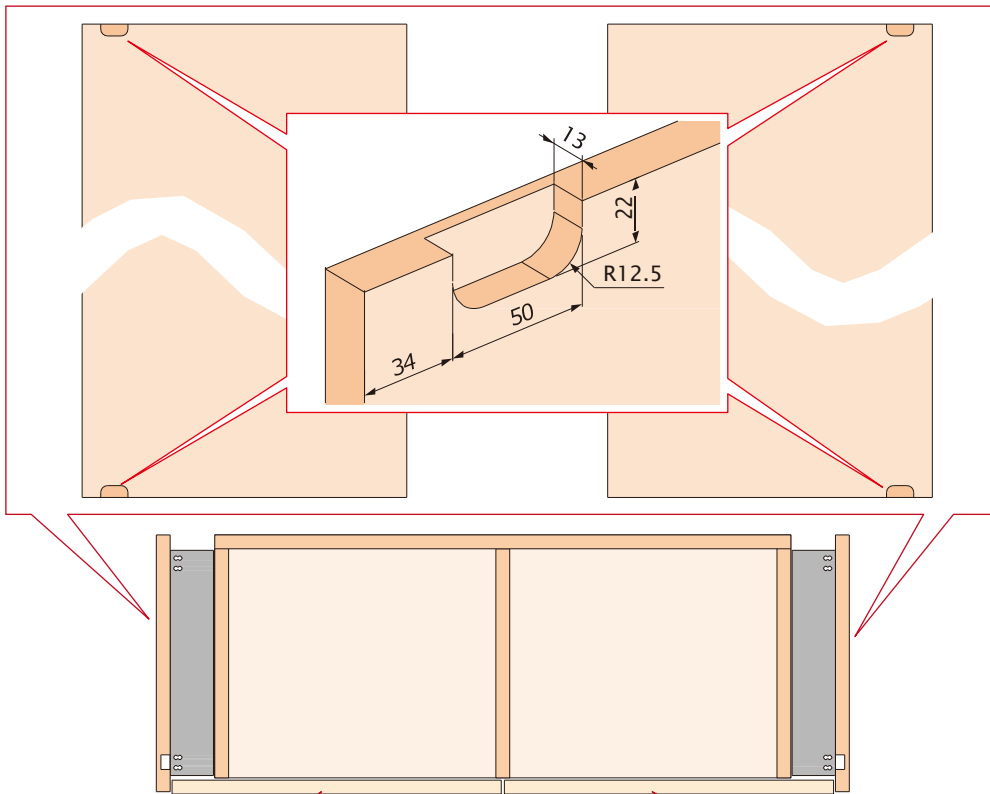
A	The thickness of the door panel	L1	The length of the upper track
C	The depth of the cabinet	L2	The length of the bottom track
C1	The depth of the seal panel	L3	The length of the middle track
H	The height of the cabinet	L4	The height of the axis
H1	The height of the seal panel	L5	The length of the connected panel
DH	The height of the door panel	L6	The length of the profile for weather strip & brusher
DW	The width of the door panel		
DW1	The depth of the pocket	W	The width of the cabinet



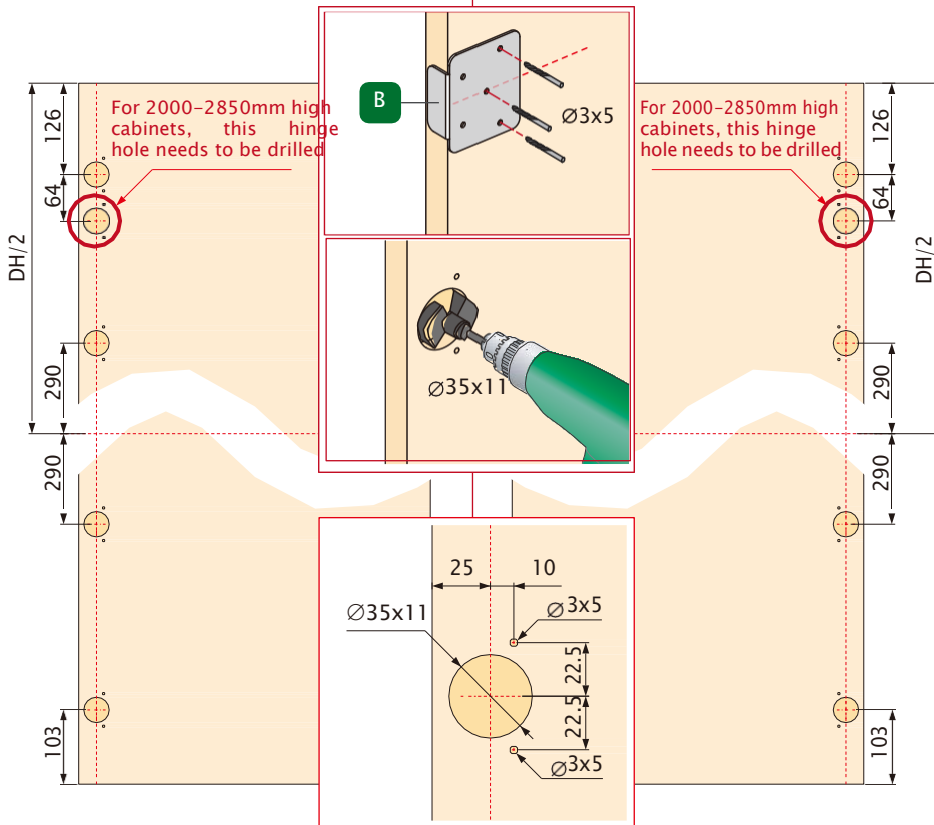
Note: No Baseboard

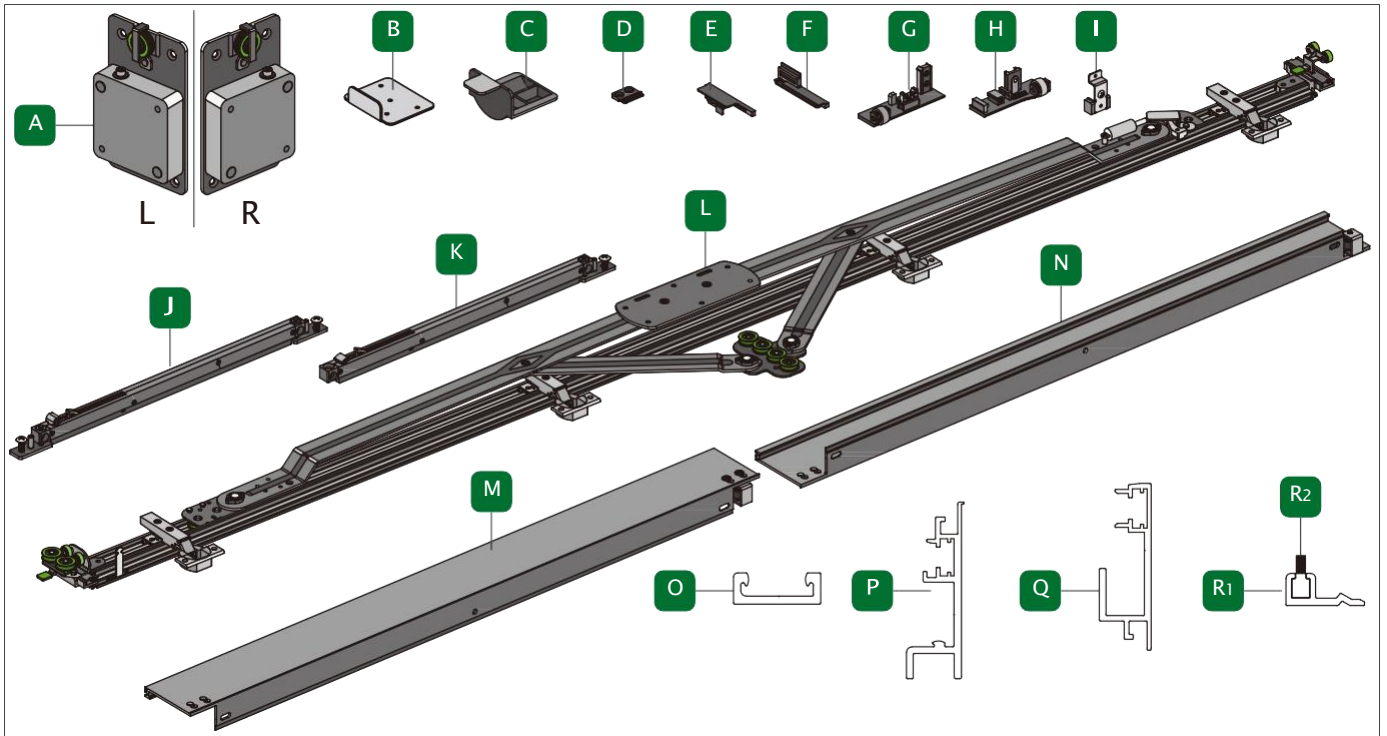


Installation parameter

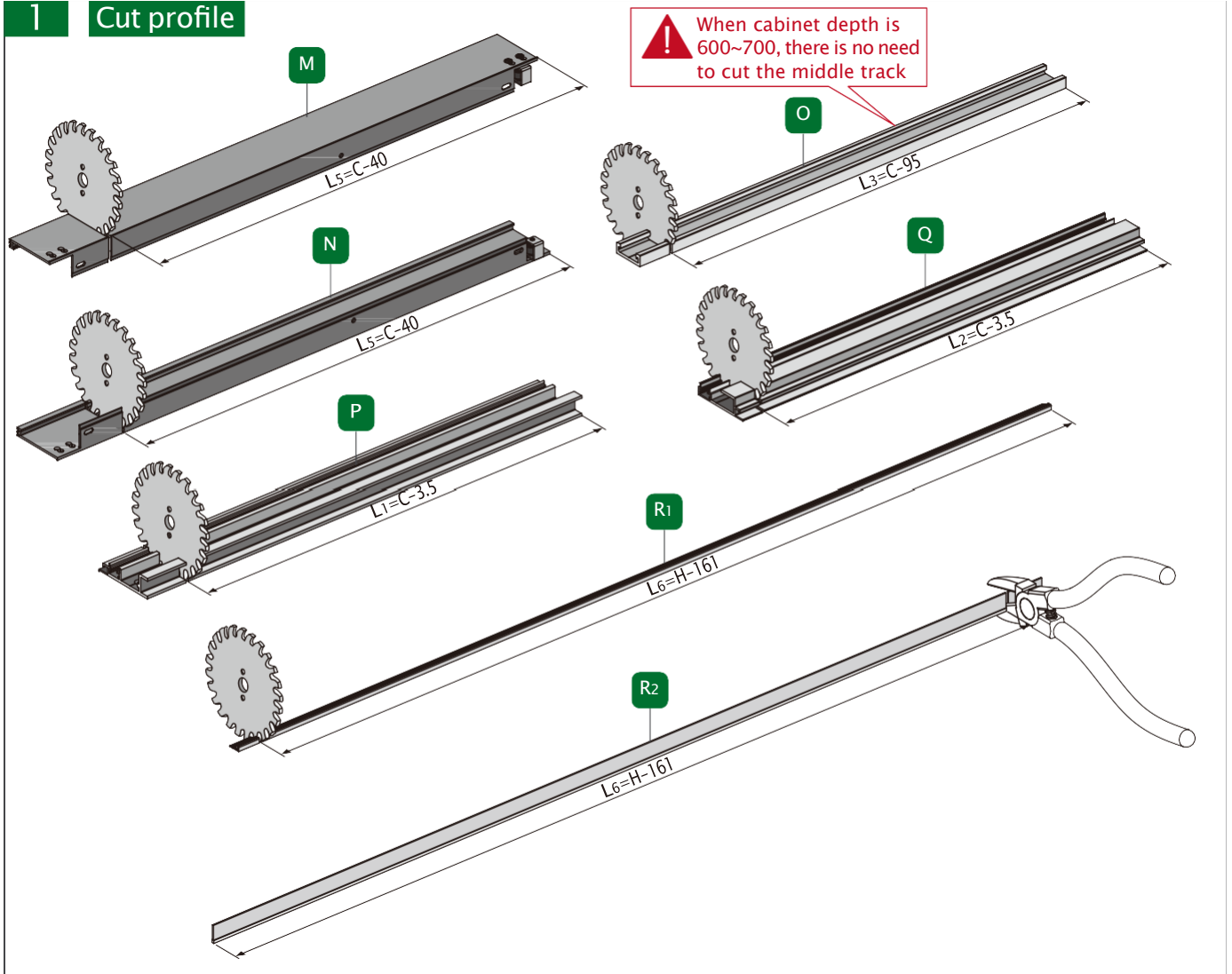


- ⚠ 4 hinges for 1800–2000mm high cabinets
- 5 hinges for 2000–2850mm high cabinets

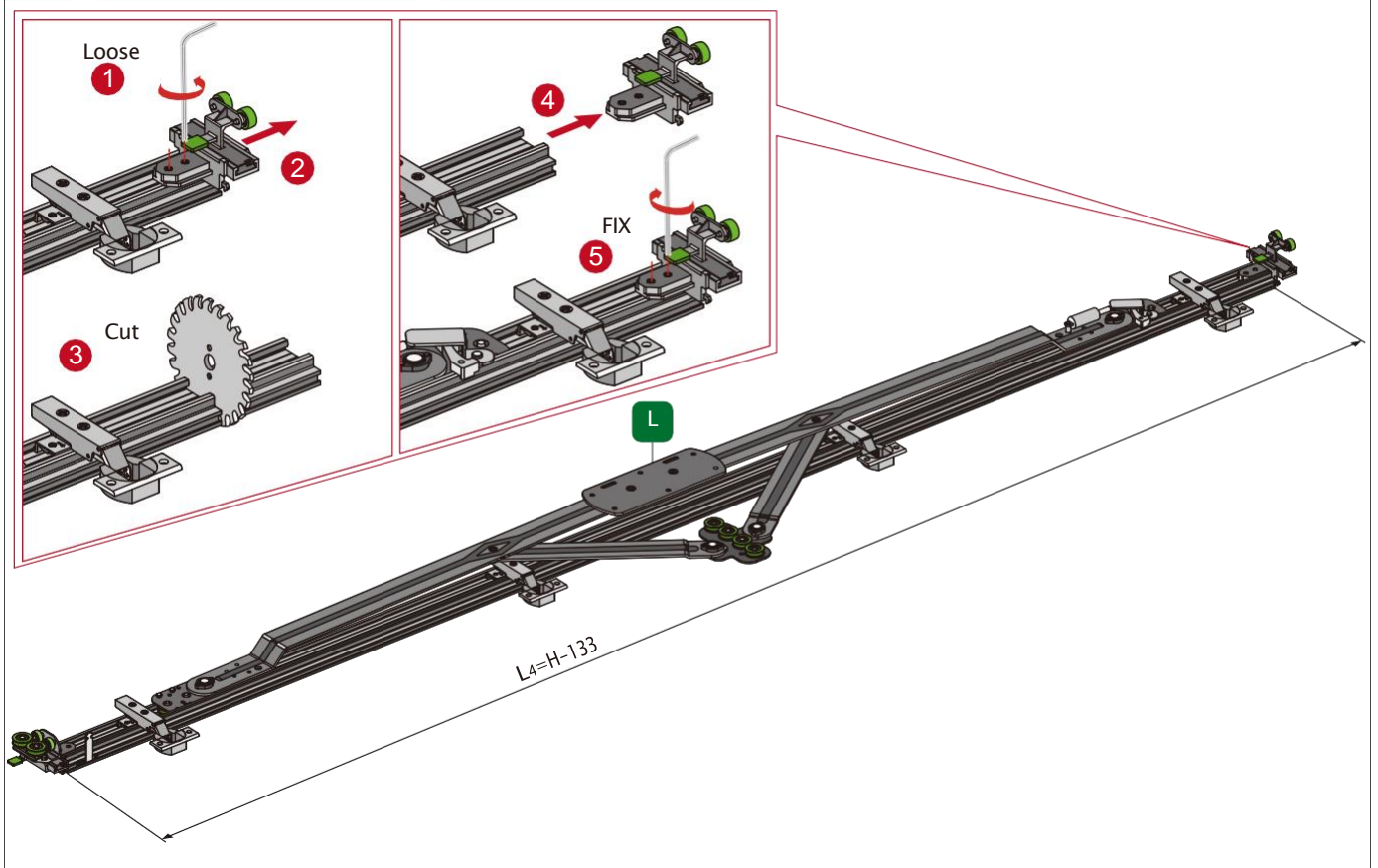




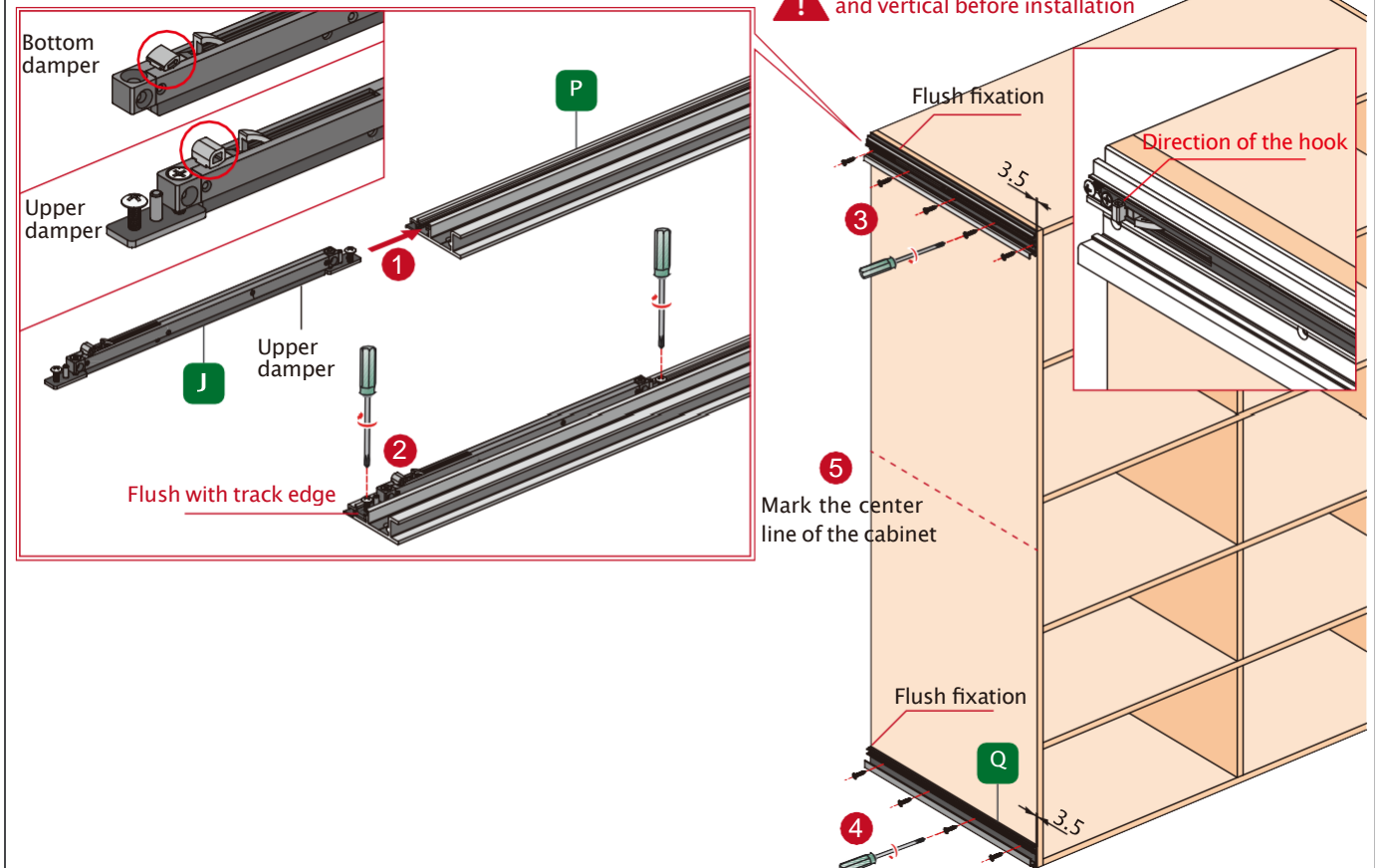
**1** Cut profile



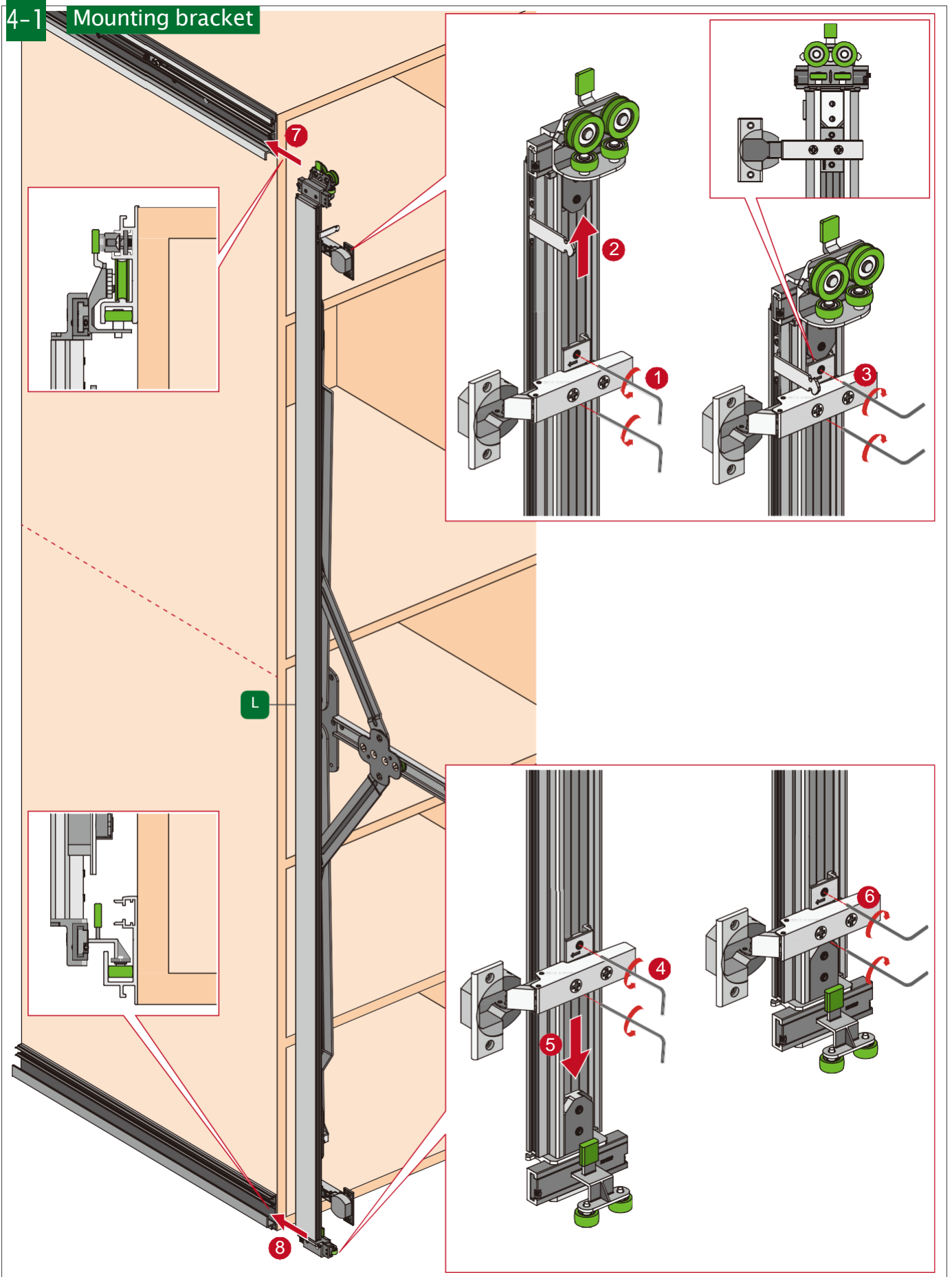
**2 Cutting Center shaft Install the middle rail**



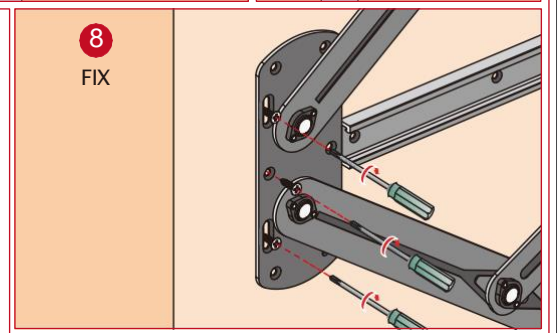
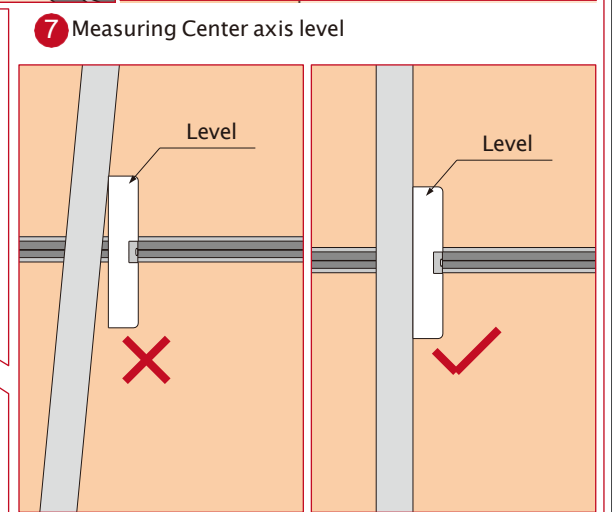
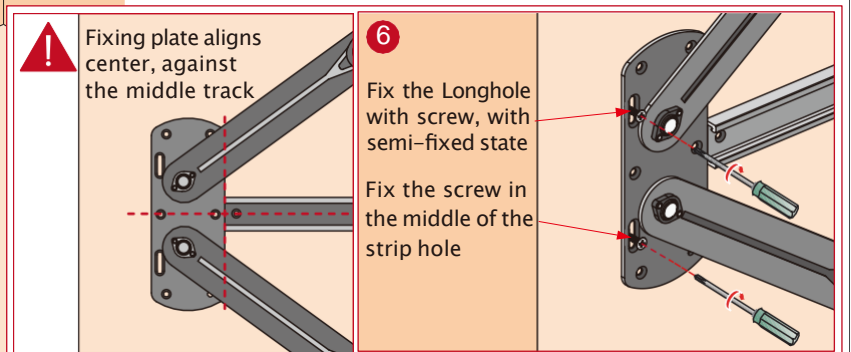
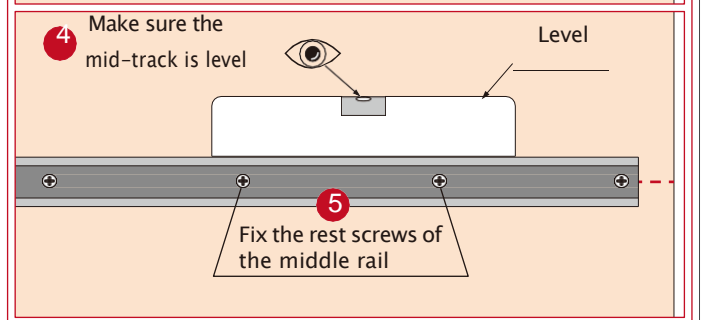
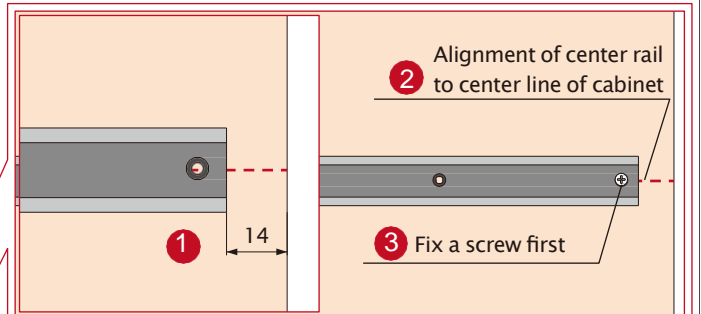
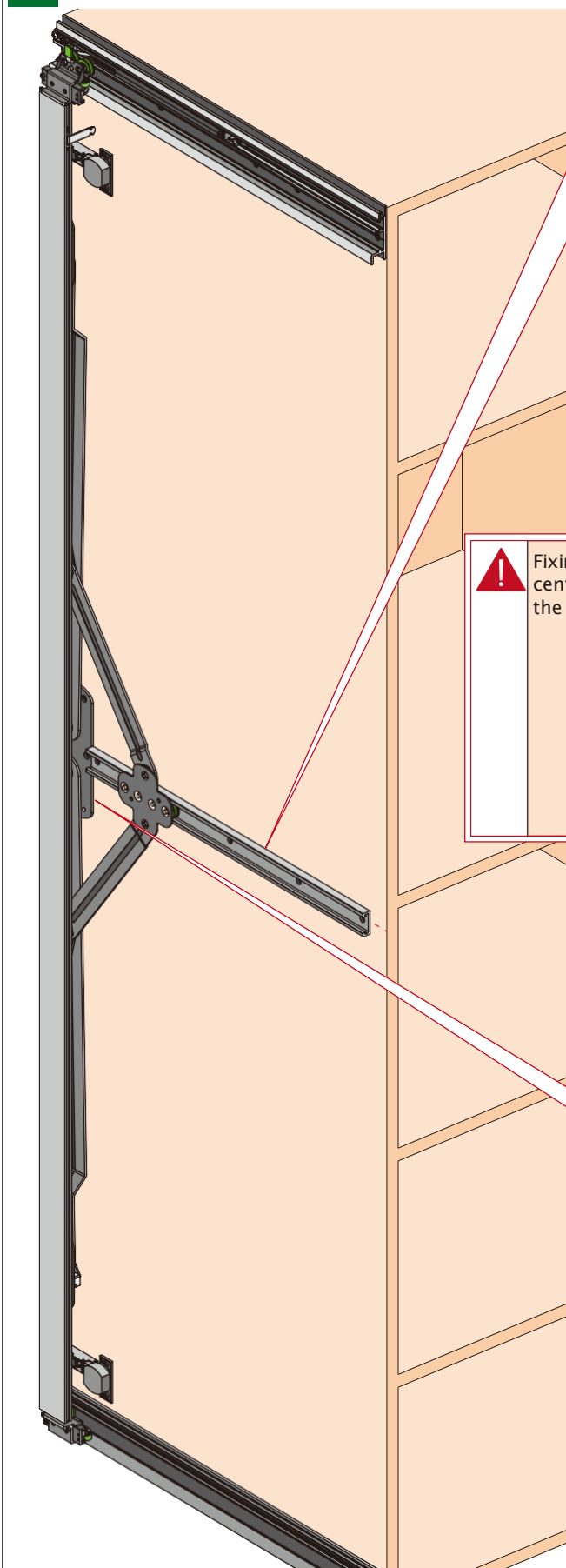
**3 Install Upper Track & Lower Track**



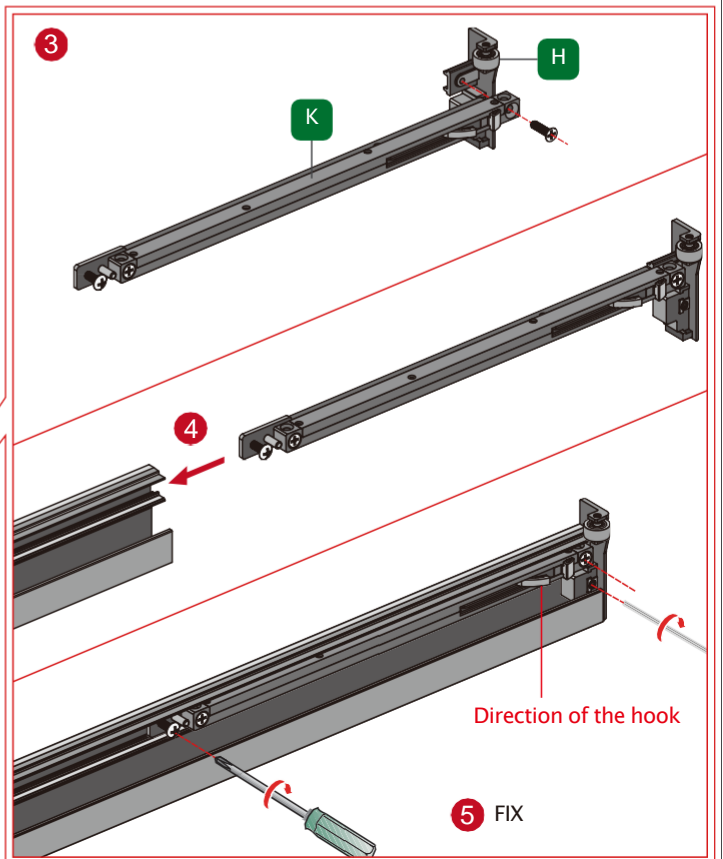
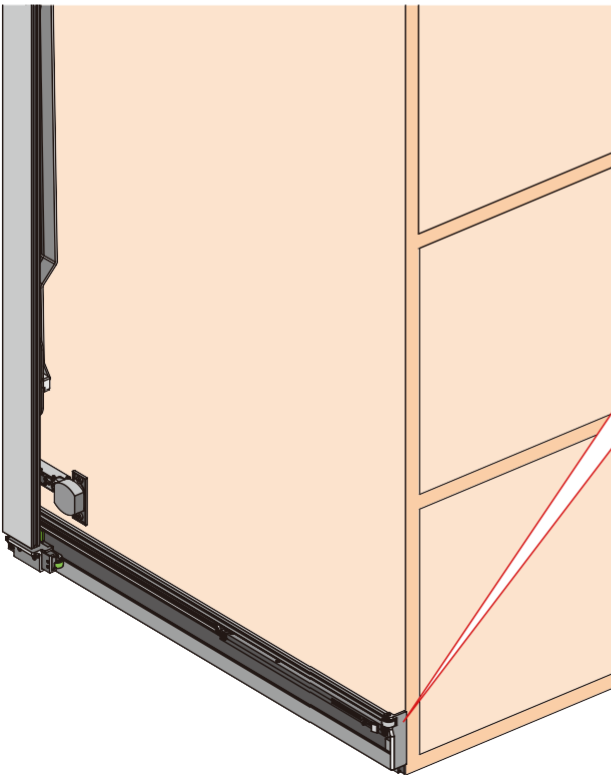
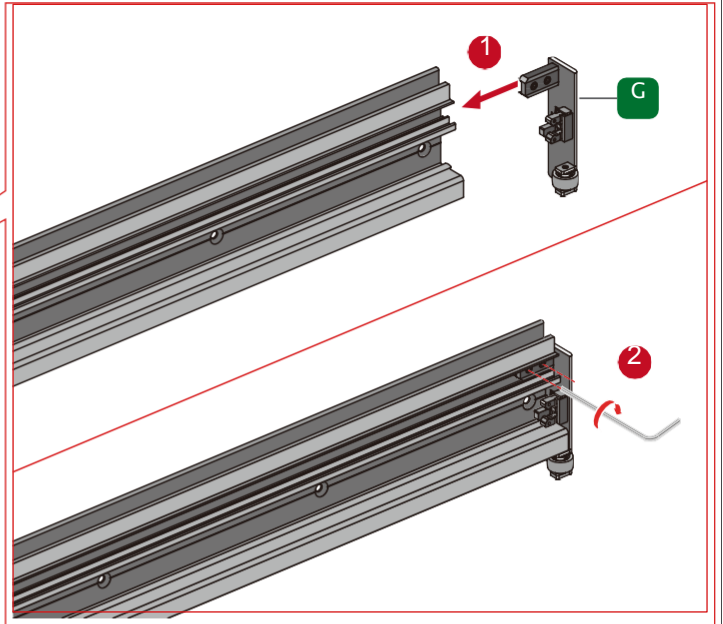
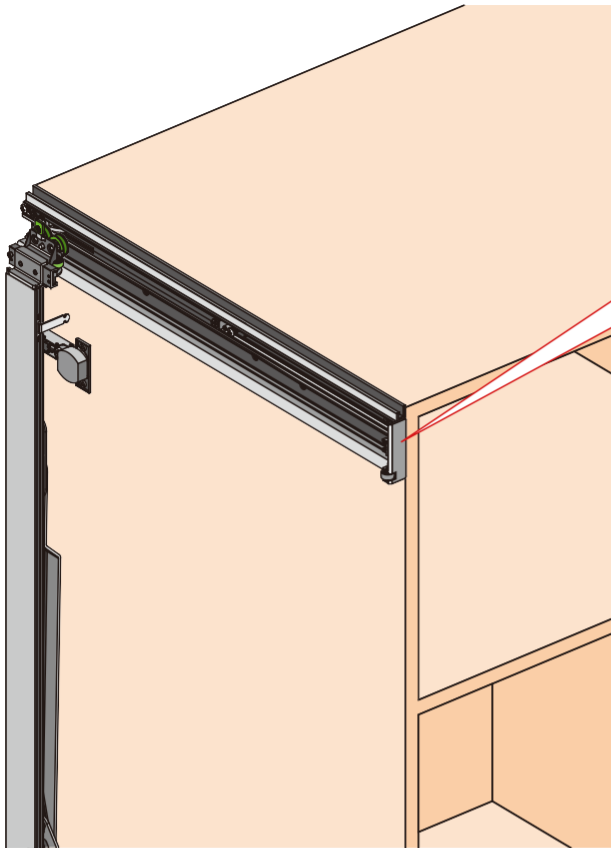
4-1 Mounting bracket



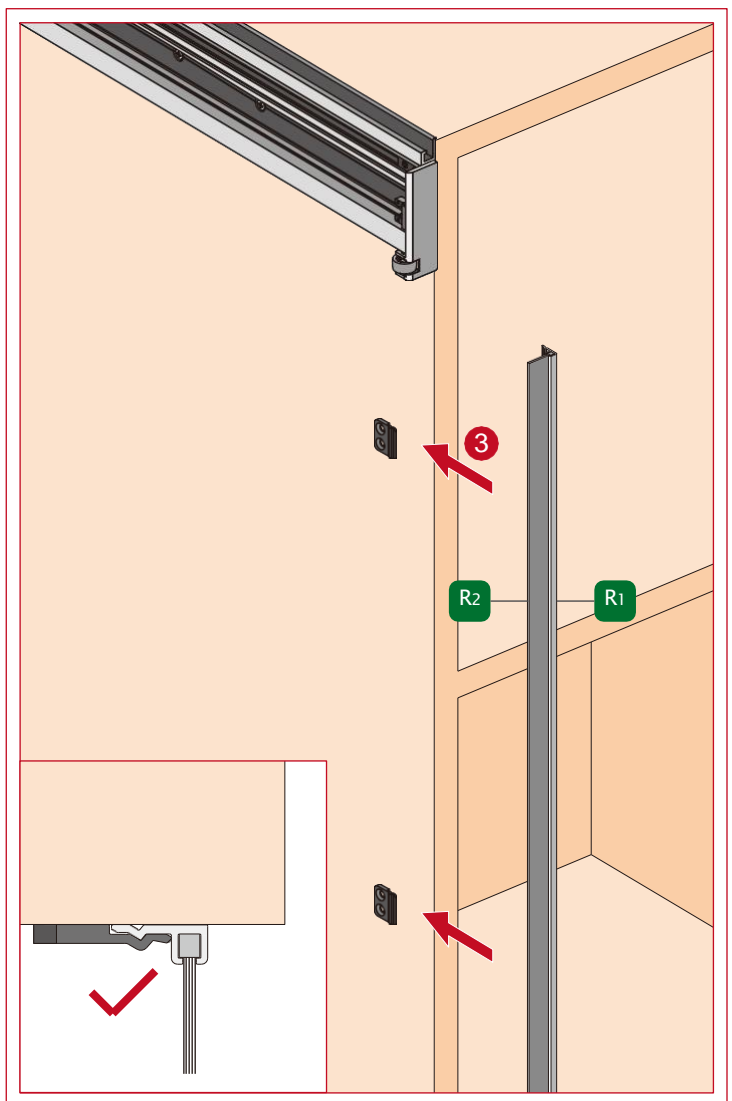
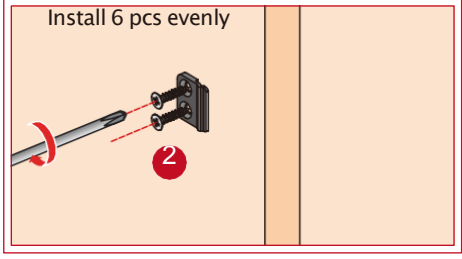
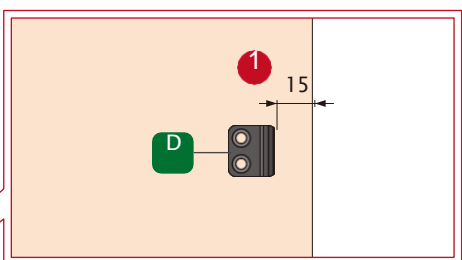
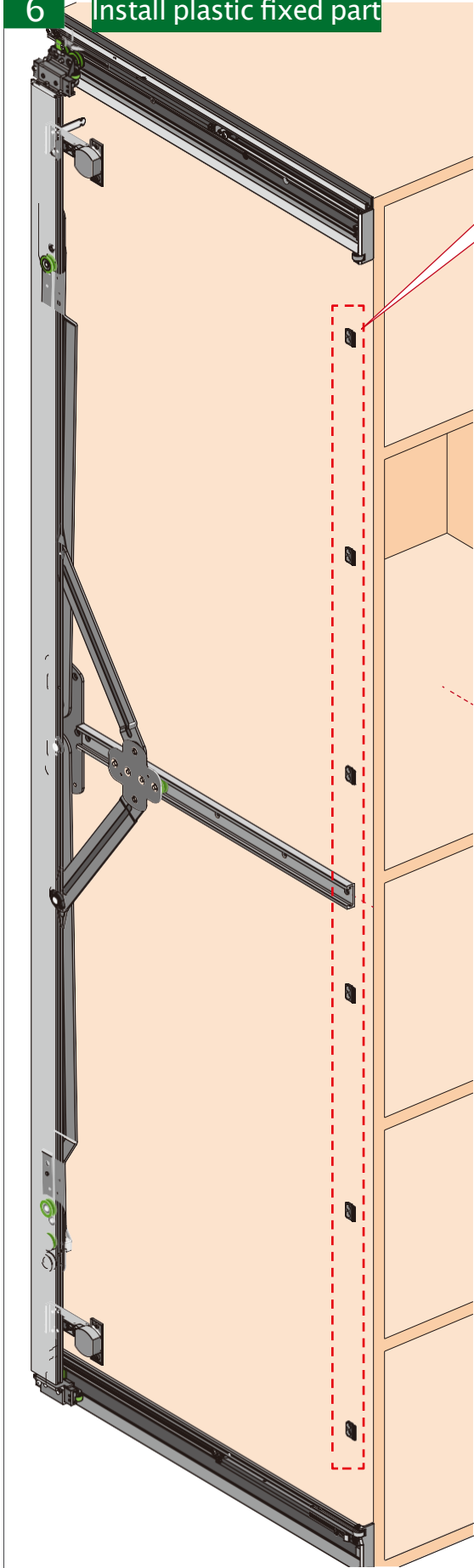
4-2 Mounting bracket



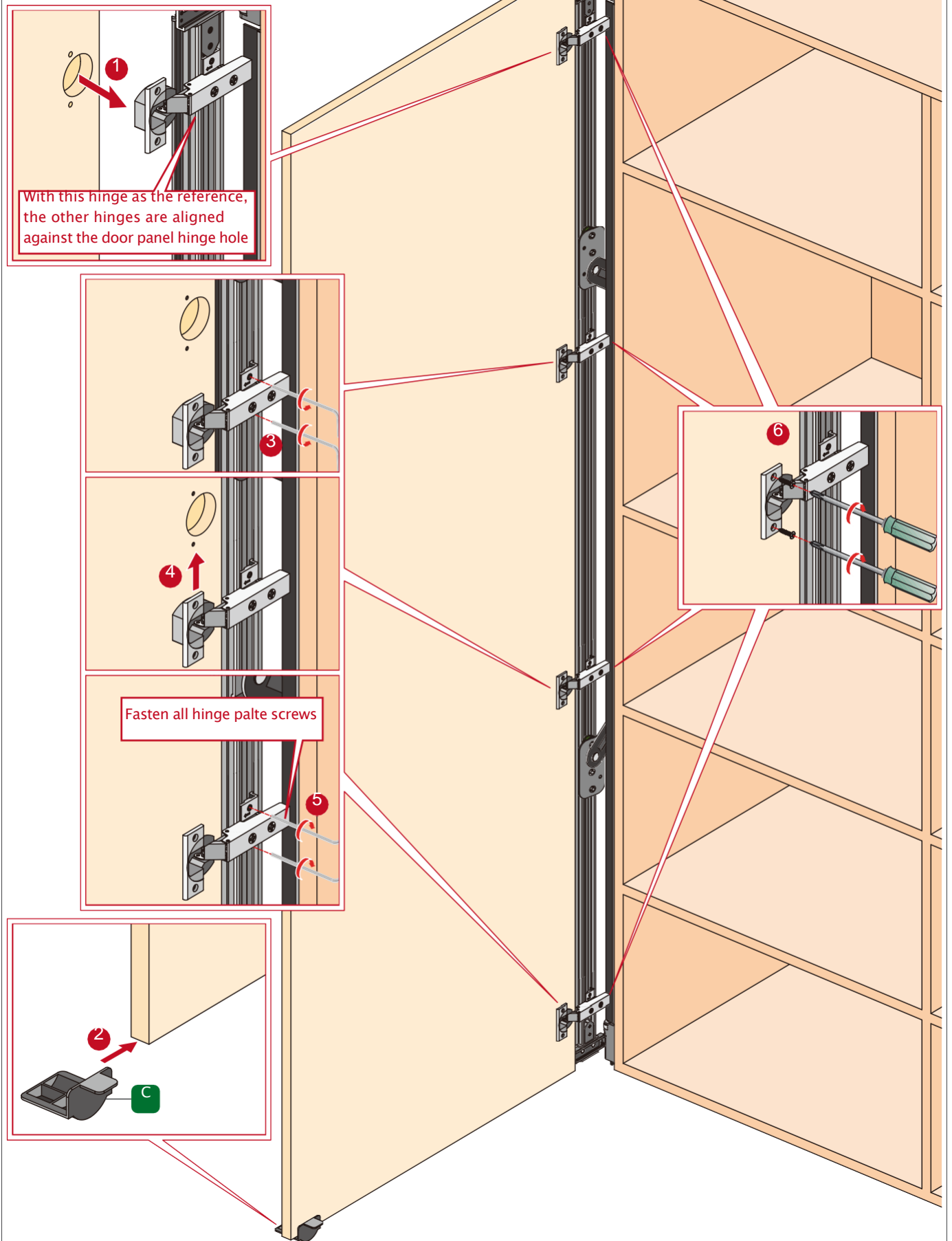
5 Install the Upper & Lower Plug



6 Install plastic fixed part



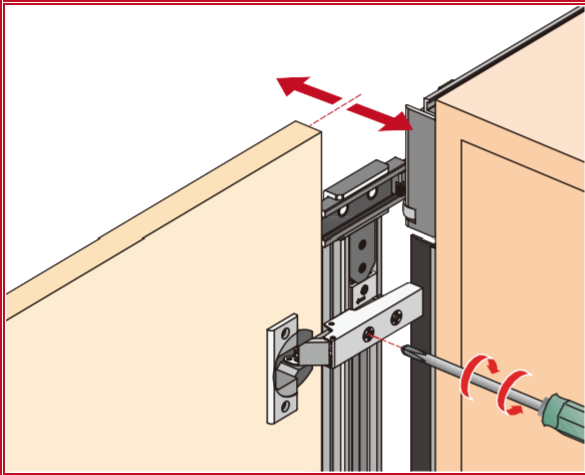
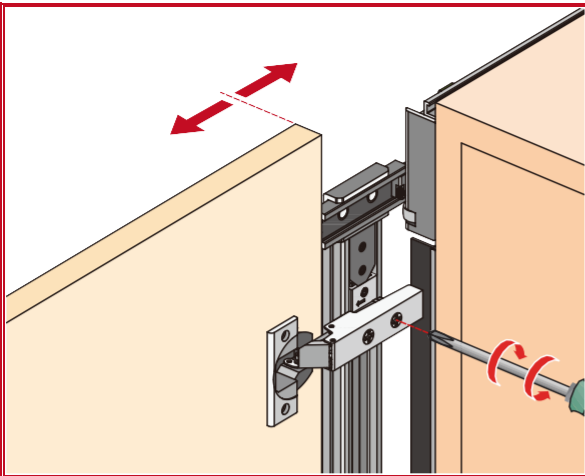
**7** Install the door panel



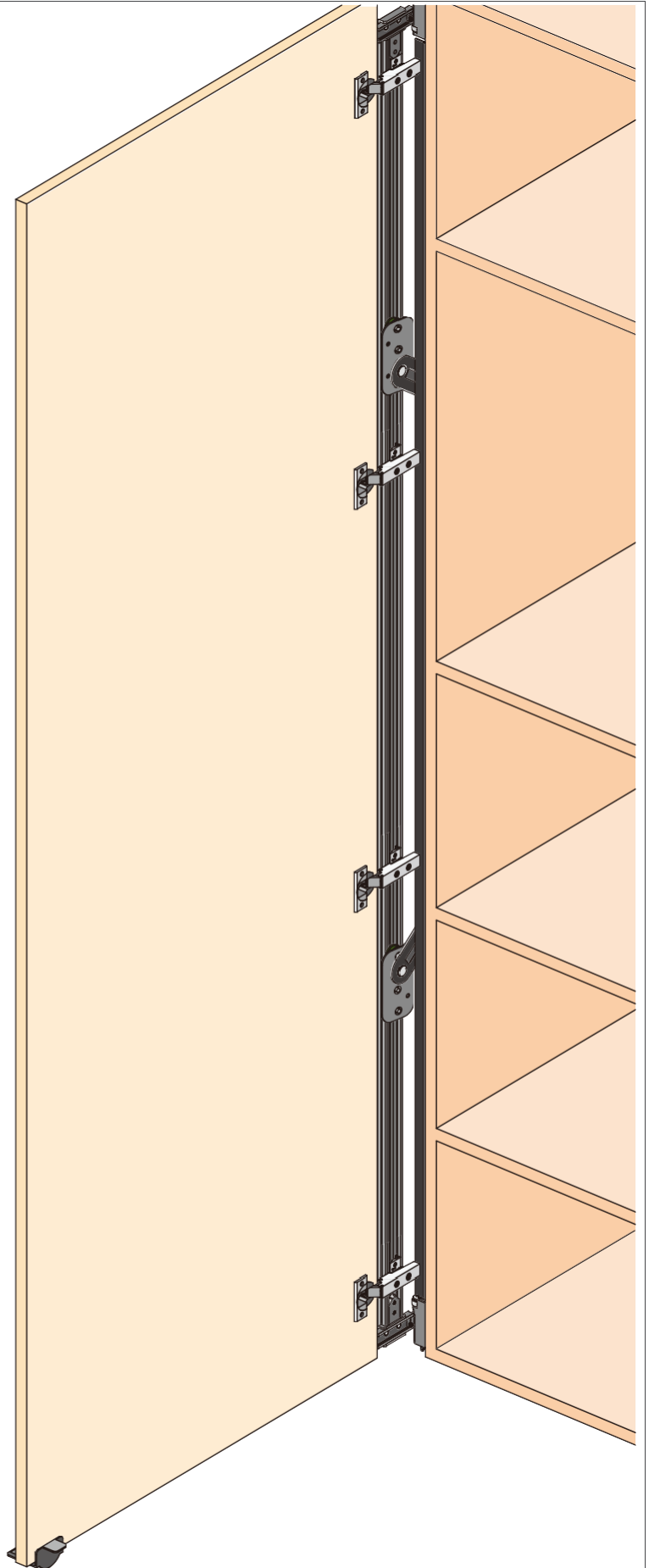
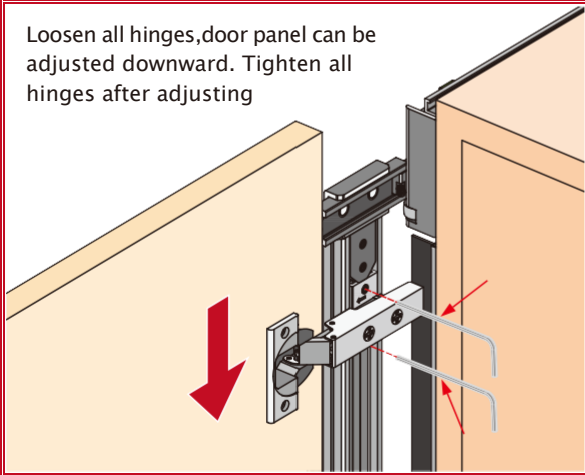
With this hinge as the reference, the other hinges are aligned against the door panel hinge hole

Fasten all hinge palte screws

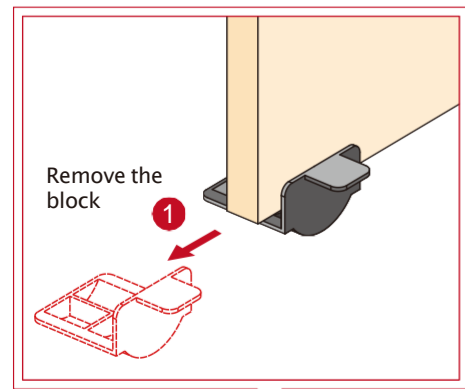
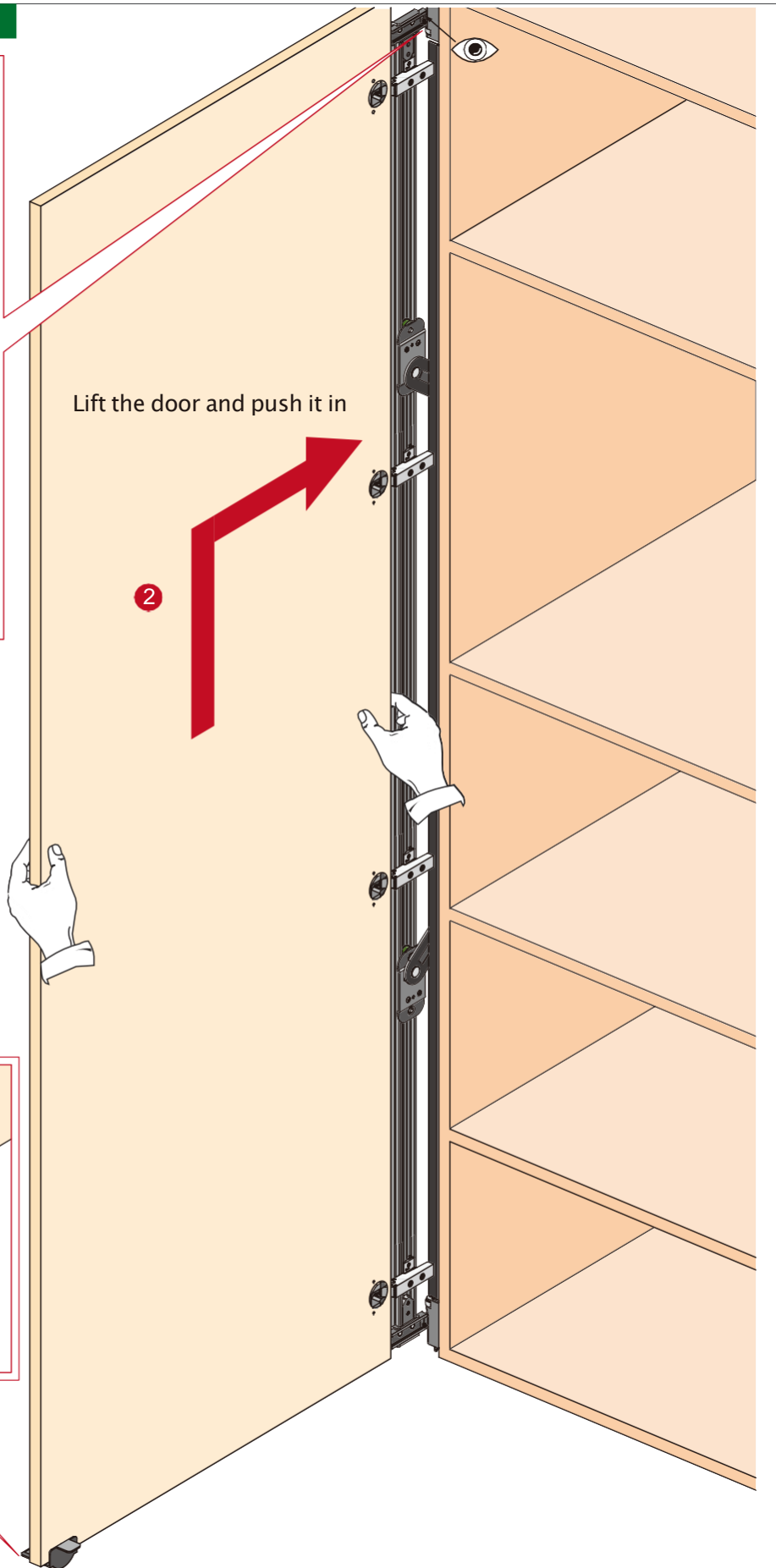
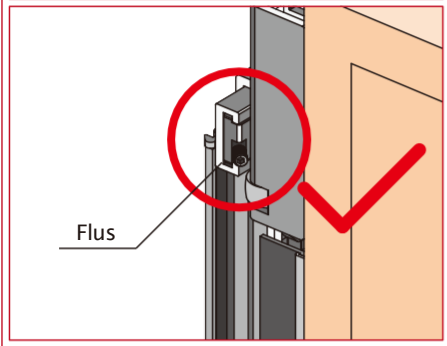
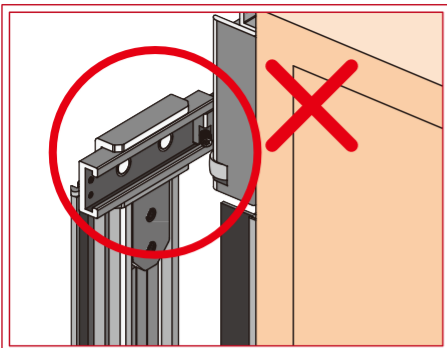
9 Adjust the door panel



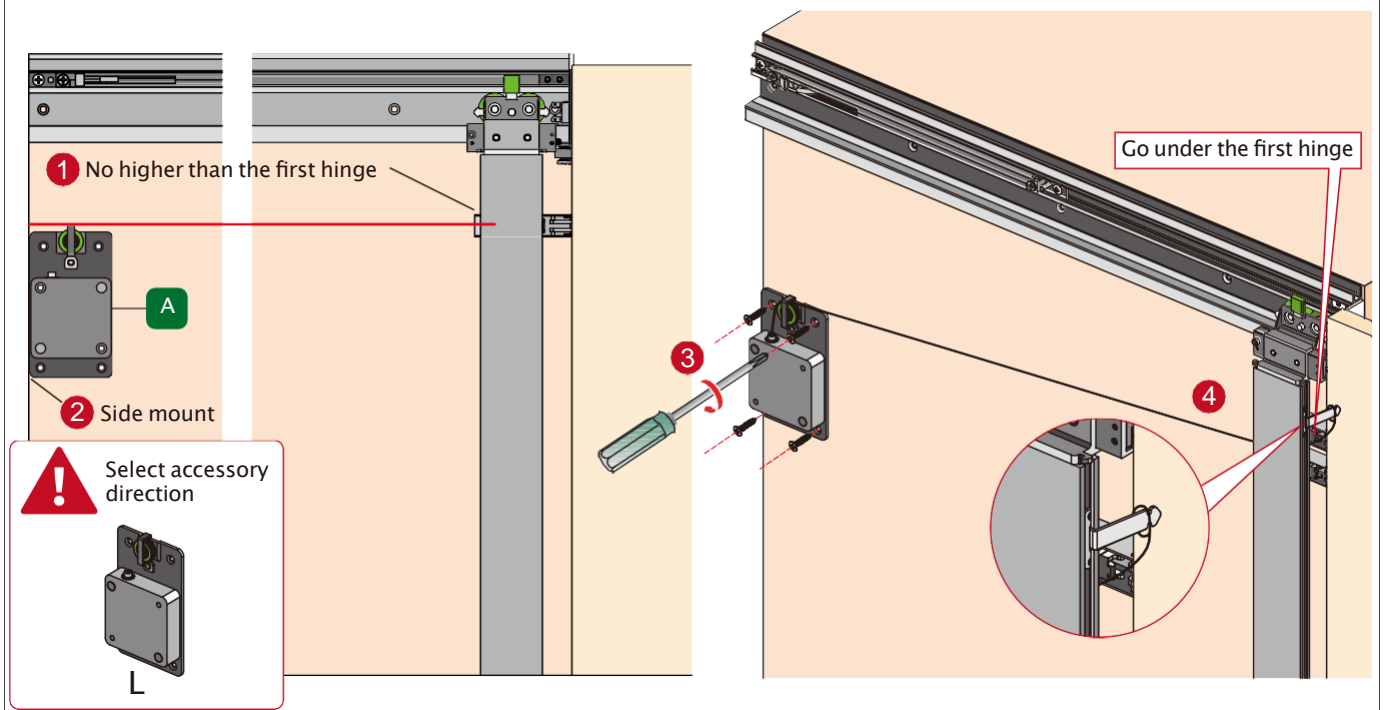
Loosen all hinges, door panel can be adjusted downward. Tighten all hinges after adjusting



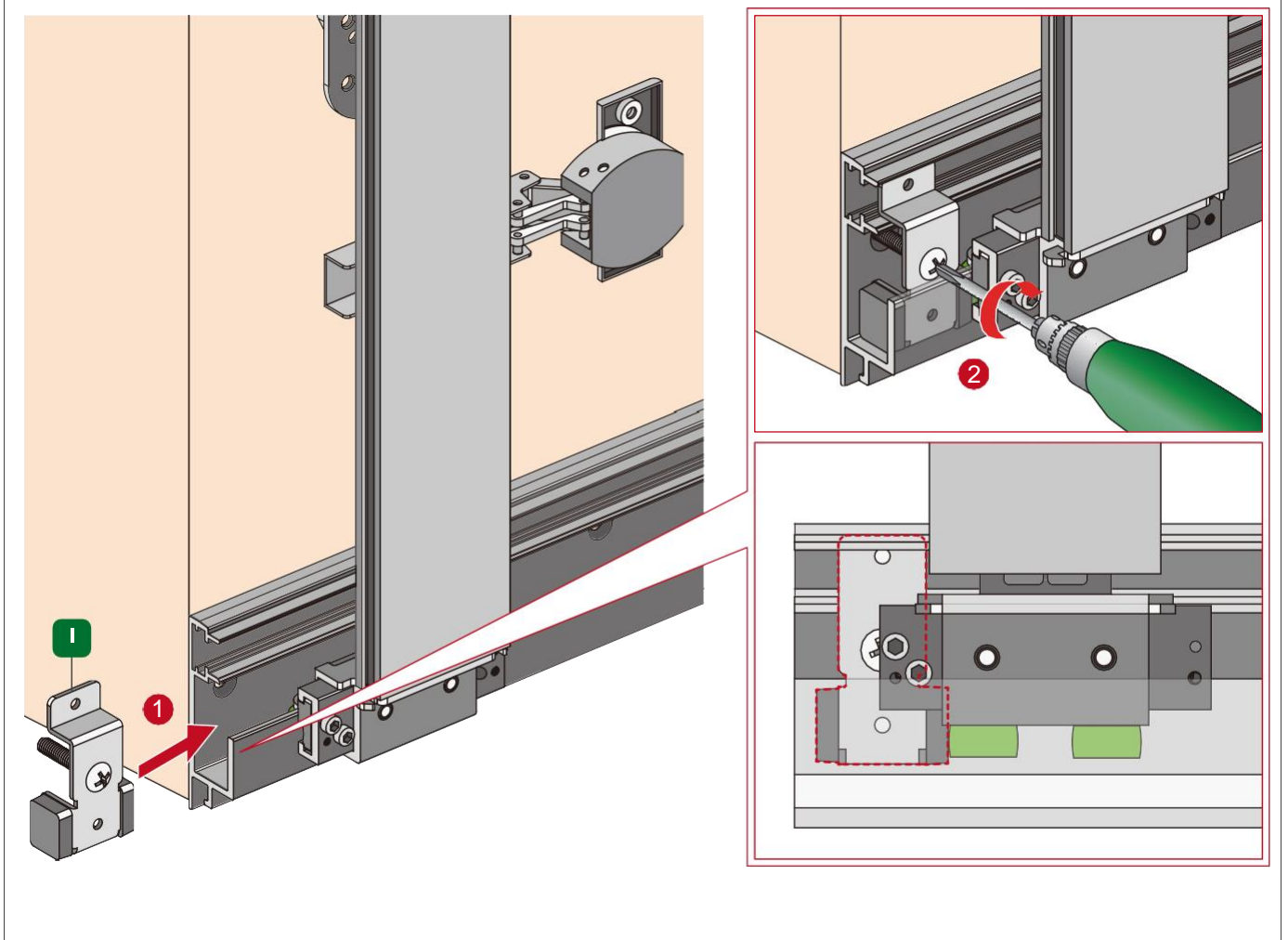
10 Promote the door panel



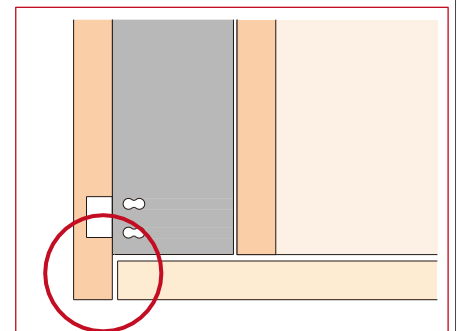
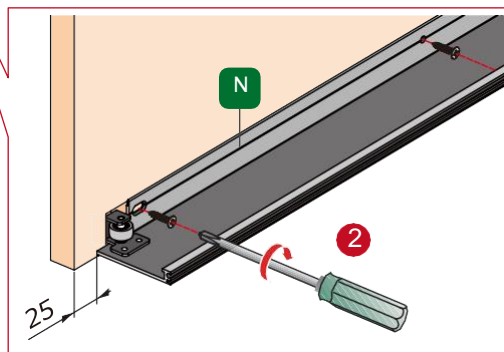
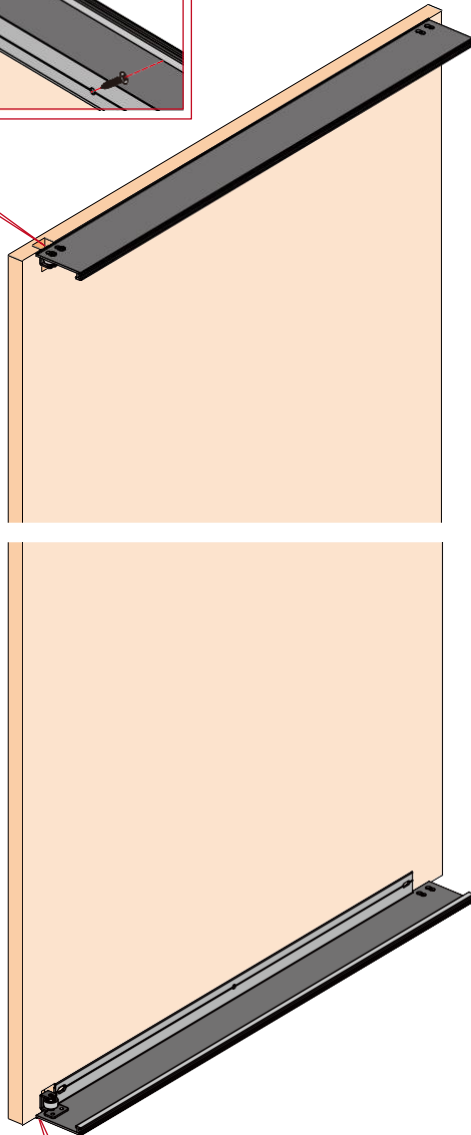
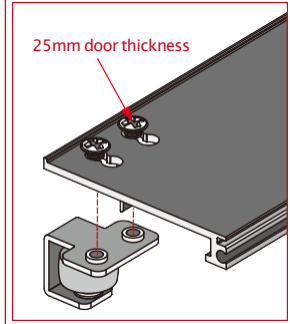
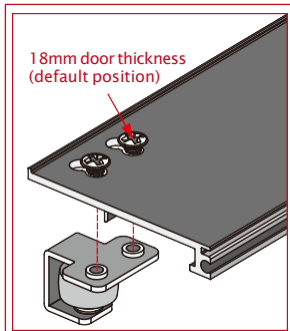
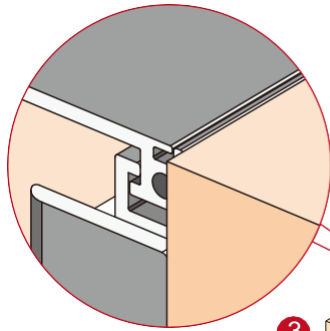
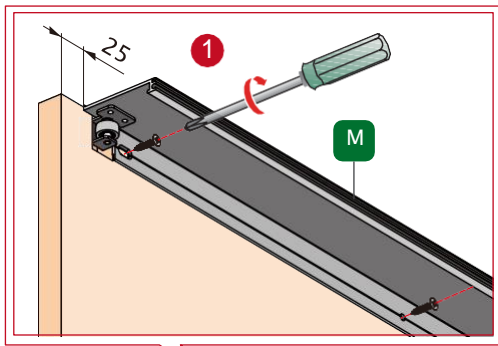
## 11 Install the tensioner



## 12 Install the stopper



13 Install sealing board



5 Close the door panel, to check if the sealing board is flush with door panel

14 Fixed sealing board & mounting decorative cover

