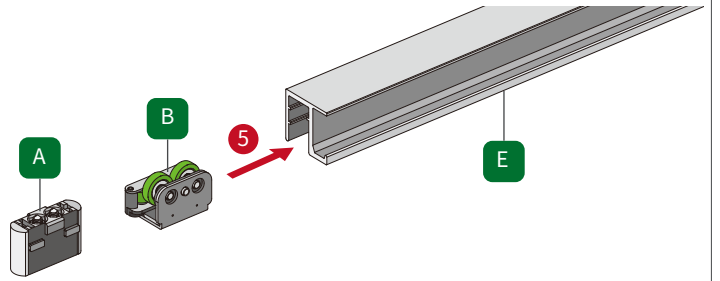
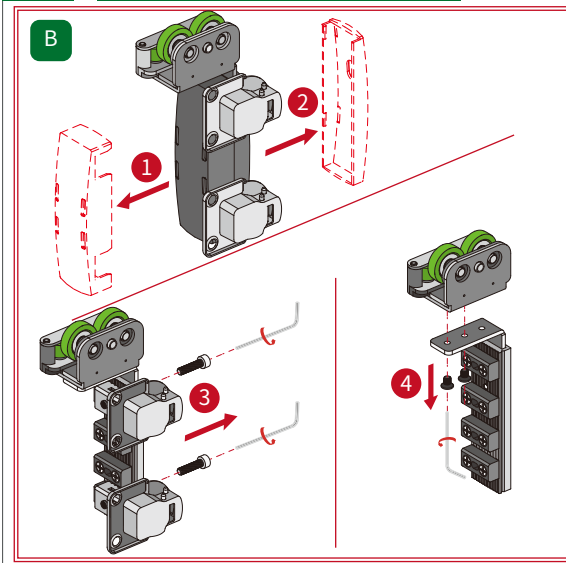
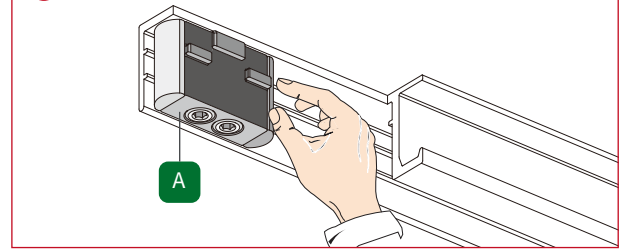


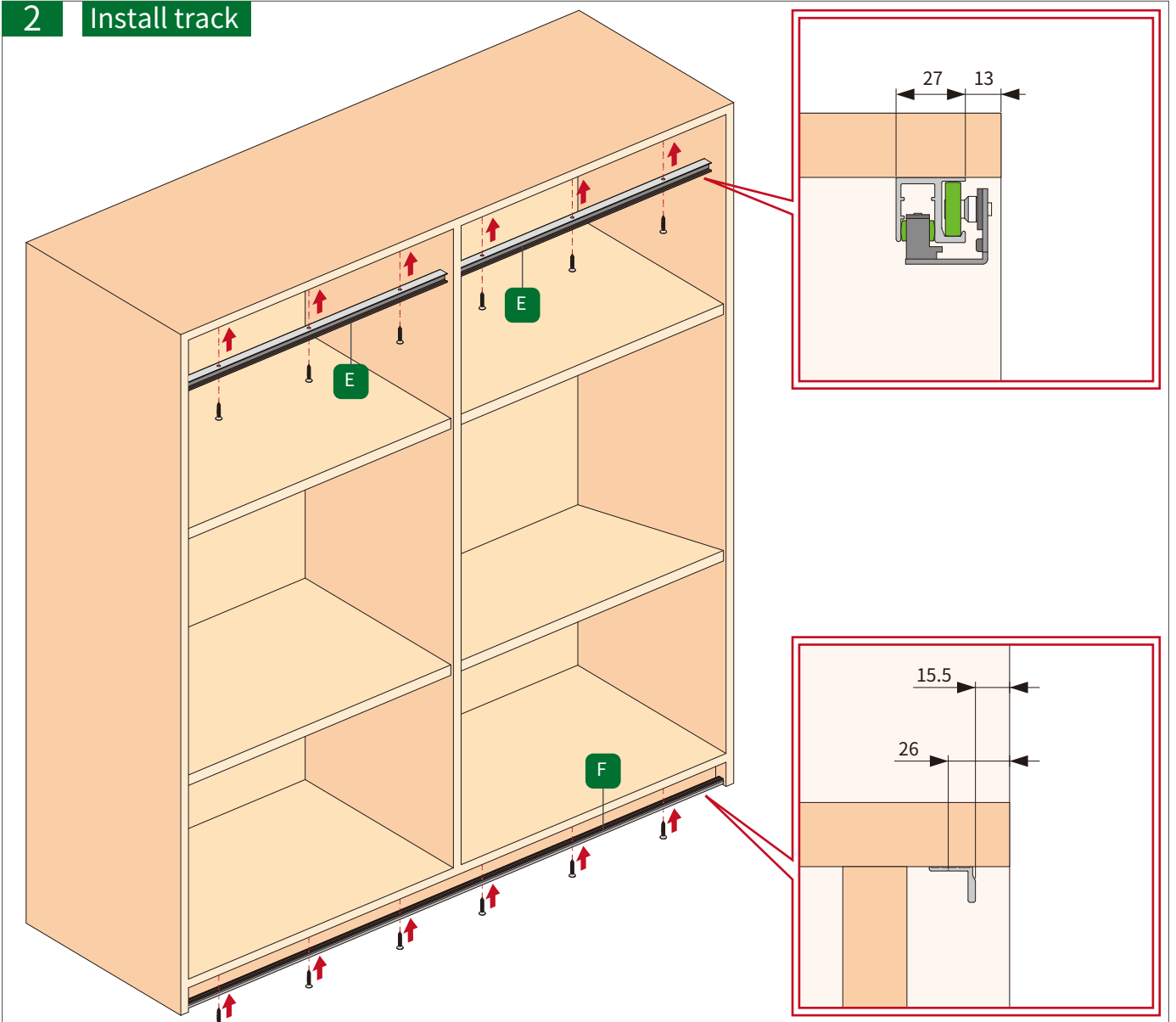
1 Install the track fittings



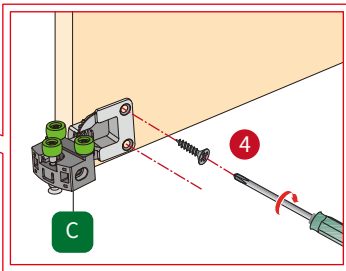
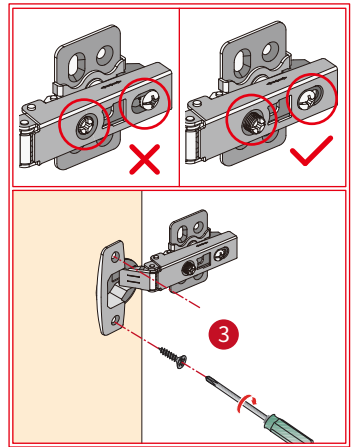
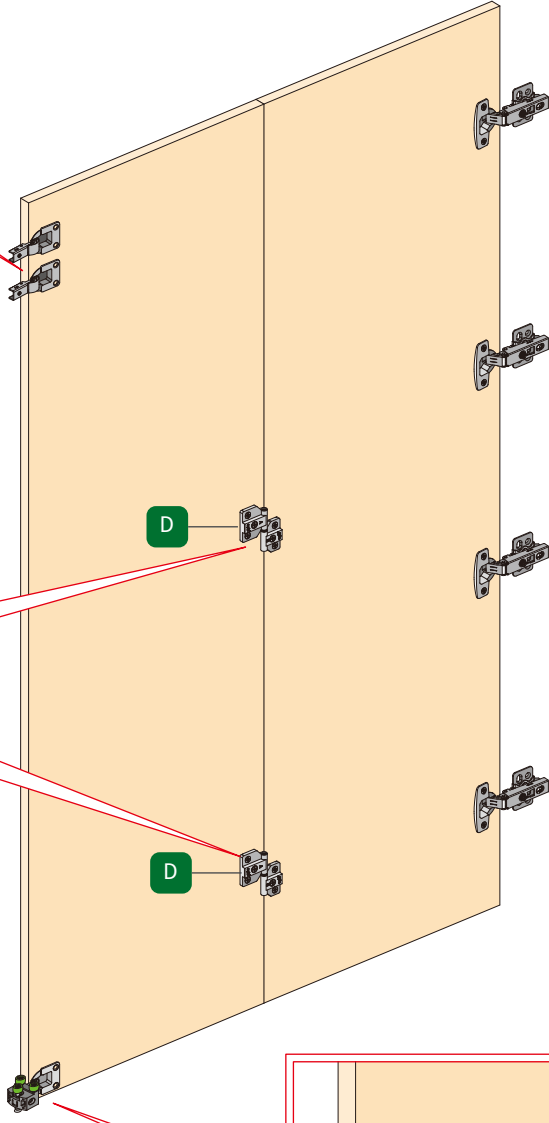
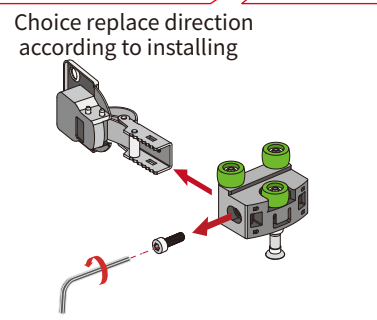
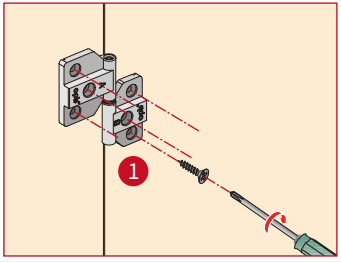
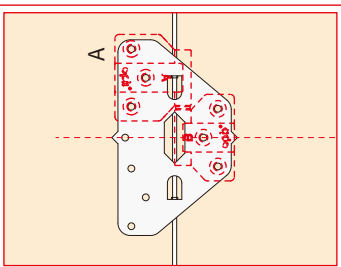
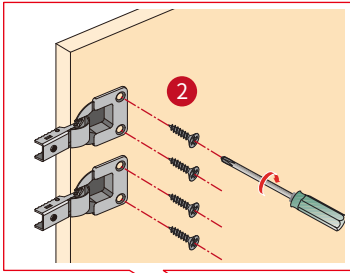
6 Push the stopper to the edge of track



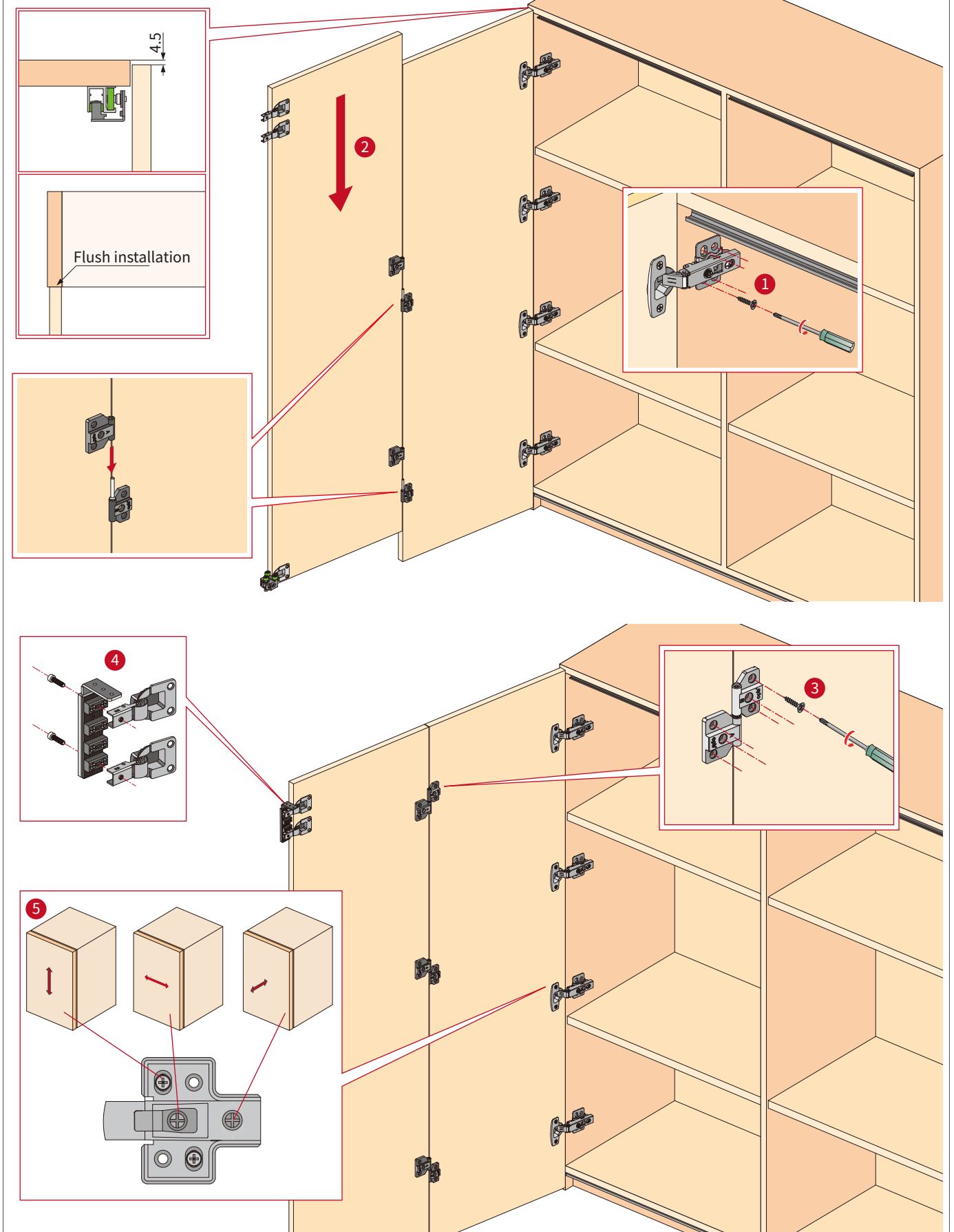
2 Install track



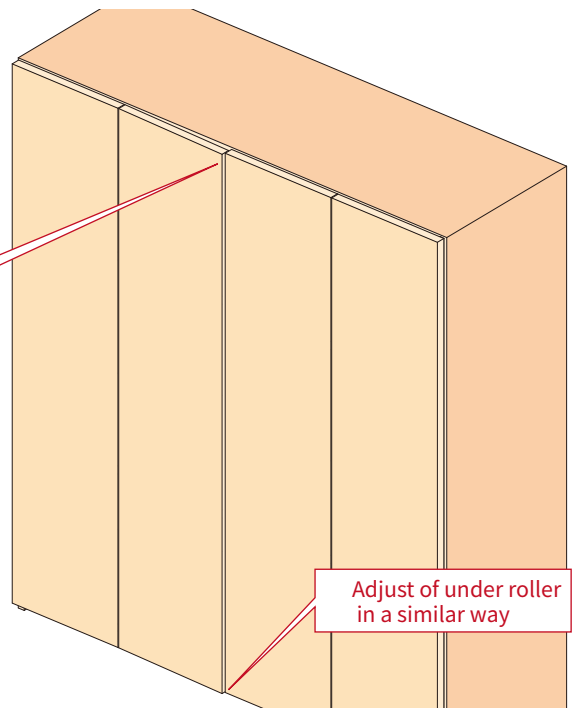
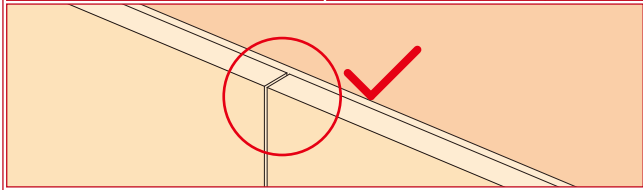
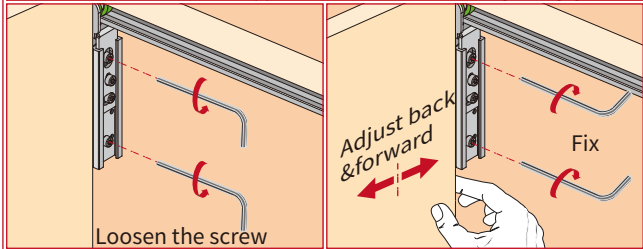
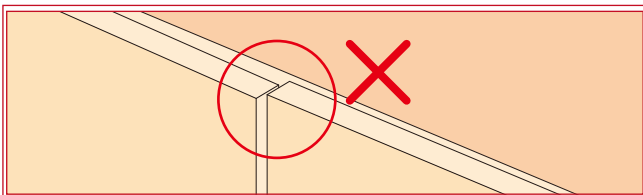
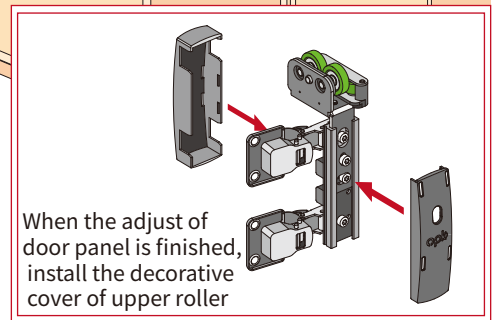
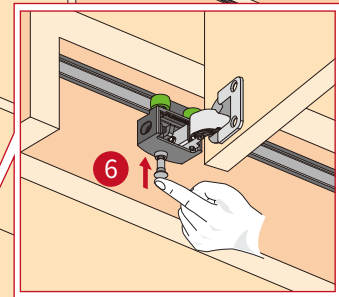
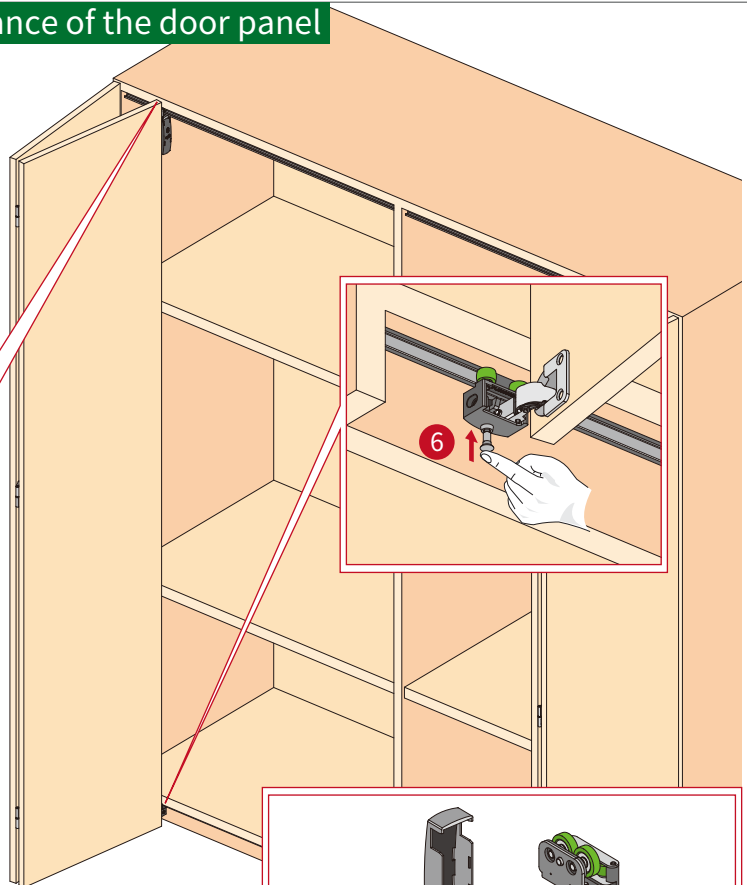
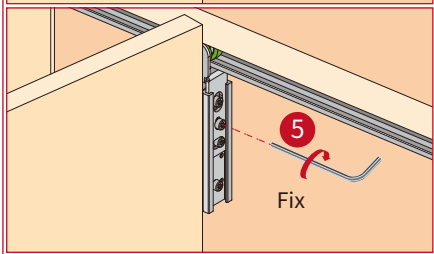
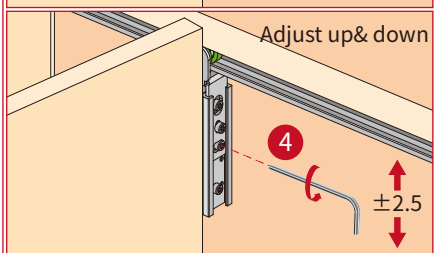
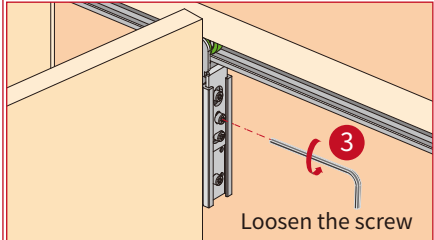
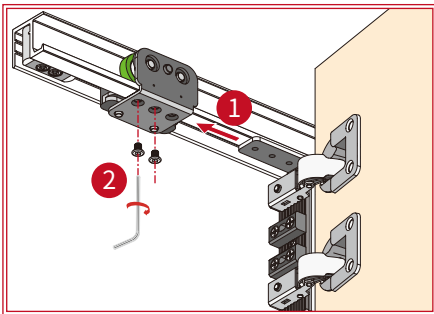
3 Install door panel fittings



4-1 Install door panel



4-2 Install door panel Adjust the balance of the door panel



5 Location stopper

